



Laws and Guidelines for Accessible ICT

**Dr. Linda Gilbert, AMAC
Accessibility Specialist**

Laws, Guidelines, and Policies



ADA

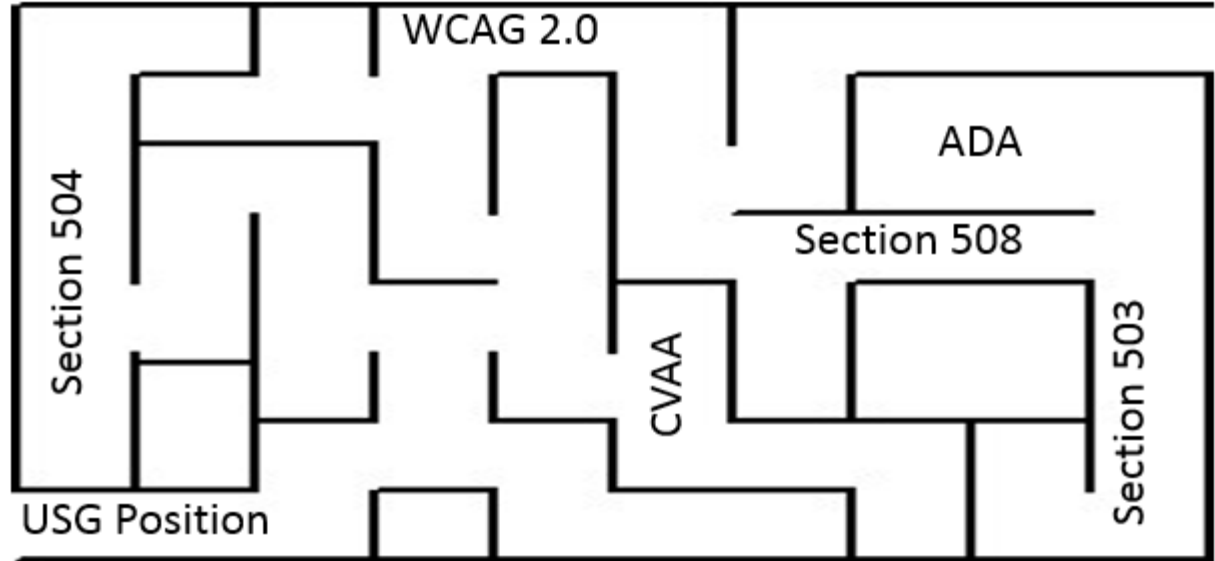
CVAA

Section 503

Section 504

Section 508

WCAG 2.0



University System of Georgia (USG) Position



Americans with Disabilities Act (ADA)

Addresses Non-discrimination/Equal Opportunity in:

- Employment
- State and local government services
- Public accommodations
- Commercial facilities
- Transportation

[Current ADA Regulations](#)



21st Century Communications and Video Accessibility act (CVAA)

- Update of prior telecommunications laws
- Administered by Federal Communications Commission (FCC)



Sections 503 and 504

Part of the (much amended) Rehabilitation Act of 1973.

- The Rehabilitation Act, Section 501, prohibits employment discrimination based on disability in the federal sector.
- Section 503 expands coverage to include federal contractors and subcontractors
- Section 504 addresses participation in “any program or activity receiving Federal financial assistance”
- Section 504 specifically includes education.
- Civil rights!



Section 508: ICT Access

- Part of the (much amended) Rehabilitation Act of 1973.
- Addresses accessibility of Information and Communications Technology (ICT)
- Applies to Federal agencies that "develop, procure, maintain, or use electronic and information technologies."

- Standards set by US Access Board
- Amended in January 2017
- Enforcement begins January 2018.



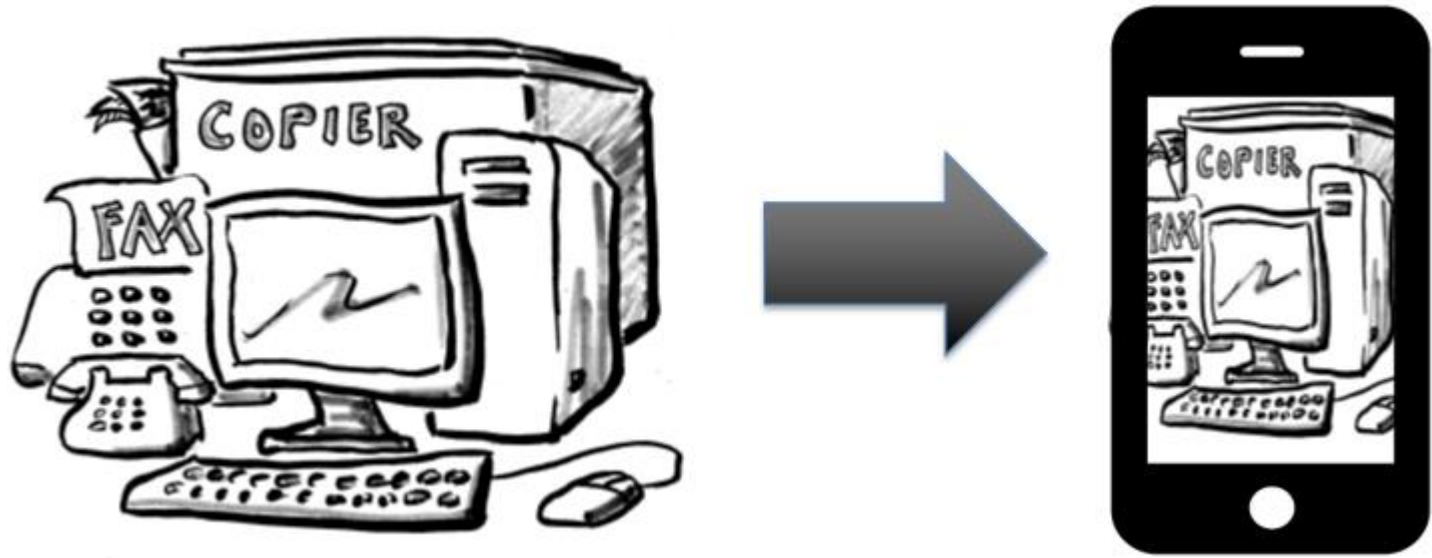
University System of Georgia position



- *Higher Education, the Americans with Disabilities Act, and Section 508*
- *Web Accessibility and Persons with Disabilities*
- Requires 508

Section 508 Standards

- Recent update addresses changes in technology since last update (2000)
- Incorporates WCAG 2.0 by reference



Web Content Accessibility Guidelines (WCAG) – international standards for web, set by World Wide Web Consortium (W3C).

“[WCAG 2.0](#) is a stable, referenceable technical standard. It has 12 guidelines that are organized under [4 principles: perceivable, operable, understandable, and robust](#). For each guideline, there are testable *success criteria*, which are at [three levels: A, AA, and AAA](#).”

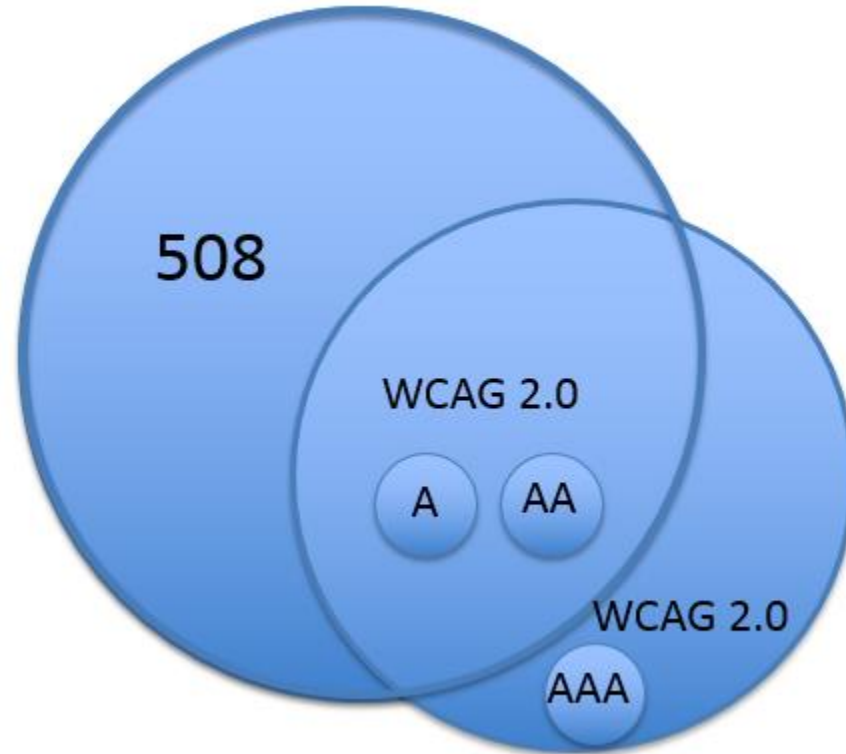
- Source: [Web Content Accessibility Guidelines \(WCAG\) Overview](#)

Incorporation of WCAG 2.0



- WCAG 2.0, levels A and AA, now incorporated by reference into 508 standards
- Application of WCAG 2.0 broadened to apply to non-web ICT as well

Relationship of WCAG 2.0 and 508



Approximate timeline

Rehabilitation Act

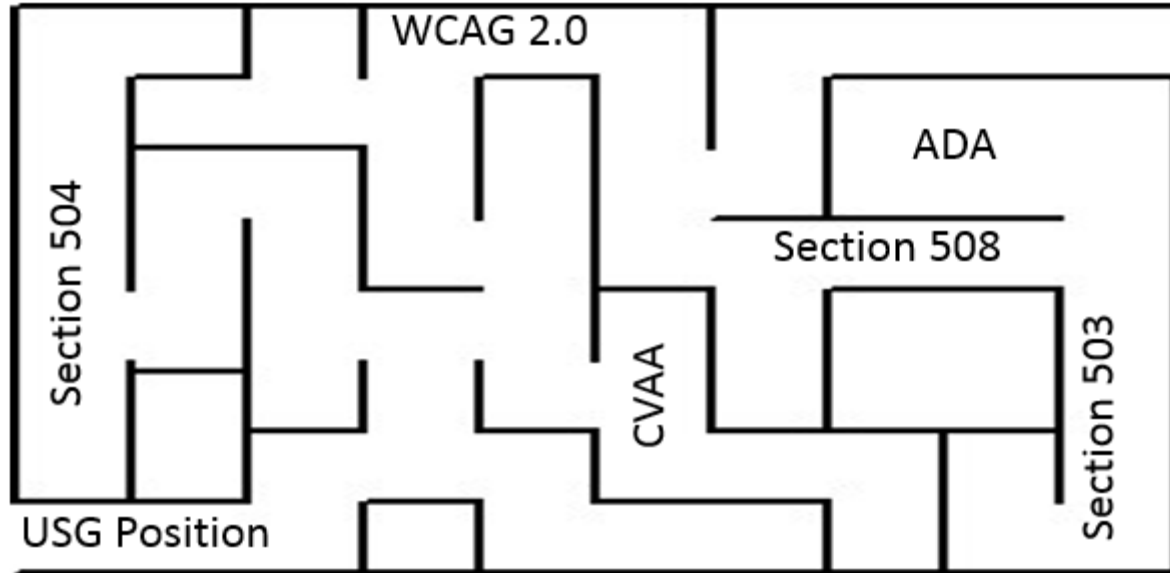
- Section 501
- Section 503
- Section 504
- Section 508

ADA

CVAA

508 Standards Update

- Incorporating WCAG 2.0 by reference



For more information



[American with Disabilities Act \(ADA\)](#)

[21st Century Communications and Video Accessibility Act \(CVAA\)](#)

[Section 503](#)

[Section 504](#)

[Section 508](#)

[Text of the standards and guidelines](#)

[Revised Section 508 Toolkit](#)

[Web Content Accessibility Guidelines \(WCAG\) Overview](#)

[WCAG 2.0](#)





Questions?, Part 1